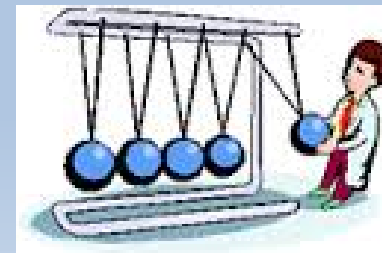
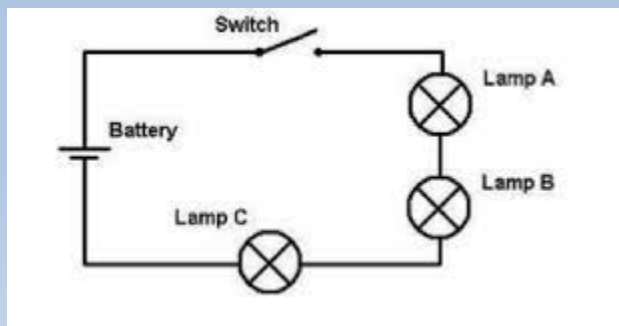
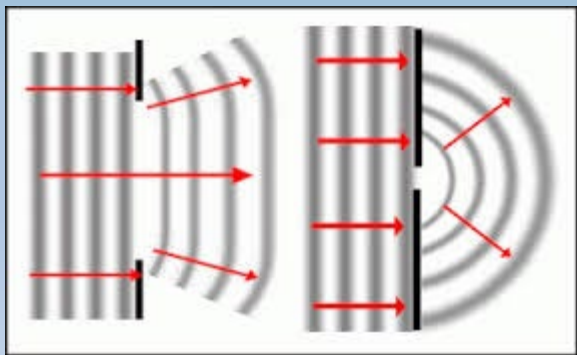
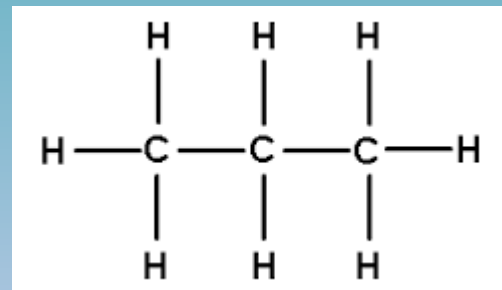


Revision and support for Science GCSEs 2023



- **Every student in Year 11 will have 6 GCSE science exams.**
- **Combined science = 6 exams (1hr 15mins)**
- **Triple Science = 6 exams (1hr 45mins)**
- **content and working scientifically skills**
- **40% recall, 40% application and 20% analysing and evaluating**

Mock exams

- December mock paper 1 for each of biology, chemistry and physics.
- This will be 1 hr15 for combined students and 1 hr 45 for triple students.
- using AQA grade boundaries
- March mock. This will consist of 3 full paper 2s

What support do we offer in class

- Every lesson has recall activities
- Teachers will set regular feedback opportunities, this often takes the form of exam questions and feedback will be given along with time spent on addressing that feedback
- We work on application of science in as many opportunities as possible
- We use BUN to help students with exam technique

What other support do we offer?

- **Revision guides**. (If students have not bought one of these then 2nd hand ones are available)
- **Sharepoint resources** - videos of the required practicals, more past paper exam questions, reminders about command words and exam skills.
- **Exam study packs** used for homework, with specification, recall activities and exam practice.

What can students do to prepare for their exams?

- **Use revision guides to prepare for the mock exams.**
- **Complete all home learning on time. (3x 20-25mins)**
- **Use active revision techniques, e.g. flash cards, mind maps, quizzing with friends**
- **Use the past paper questions in their exam study packs.**
- **Use the Sharepoint for other revision resources**

Other resources

- **BBC bitesize**
- **Websites, save my exams**
- **Free you tube videos (e.g. Kayscience, freesciencelessons.com, Primrose Kitten)**
- **Podcasts on Spotify**

