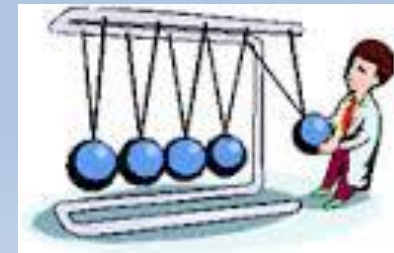
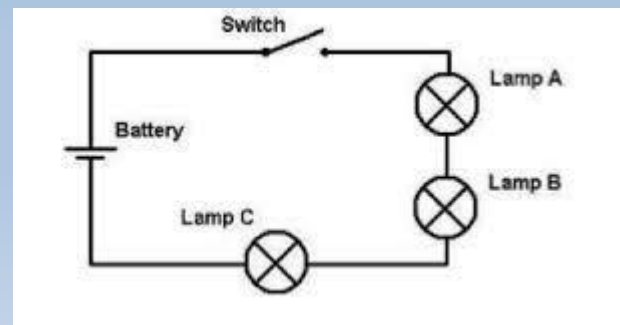
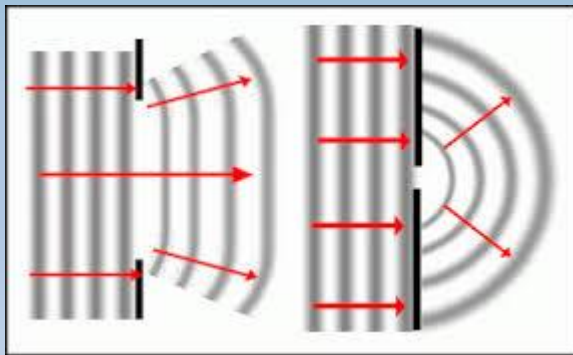
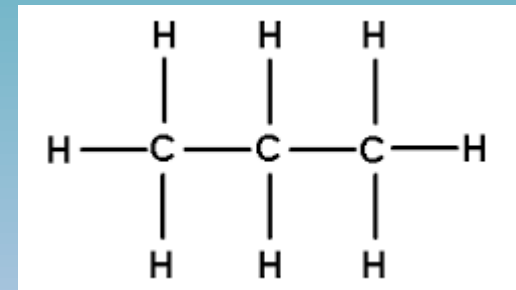
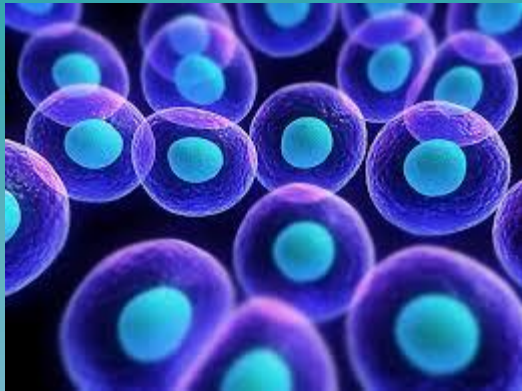


Revision and support for Science GCSEs 2025



- **Every student in Year 11 will have 6 GCSE science exams.**
- **Combined science = 6 exams (1hr 15mins)**
- **content and working scientifically skills**
- **40% recall, 40% application and 20% analysing and evaluating**

Mock exams

- We have already completed one set of paper 1 mocks
- November/December mock paper 1 for each of biology, chemistry and physics.
- This will be 1 hr15 for combined students
- using AQA grade boundaries
- March mock. This will consist of 3 full paper 2s

What support do we offer in class

- Every lesson has recall activities
- Teachers will set regular feedback opportunities, this often takes the form of exam questions and feedback will be given along with time spent on addressing that feedback
- We work on application of science in as many opportunities as possible
- We use BUN to help students with exam technique

What other support do we offer?

- Revision guides. (If students have not bought one, then we will offer another opportunity after half term)
- SharePoint resources - videos of the required practicals, more past paper exam questions, reminders about command words and exam skills.
- Exam study packs used for homework, with specification, recall activities and exam practice.

What can students do to prepare for their exams?

- **Use revision guides to prepare for the mock exams.**
- **Complete all home learning on time. (3x 20-25mins)**
- **Use active revision techniques, e.g. flash cards, mind maps, quizzing with friends**
- **Use the past paper questions in their exam study packs.**
- **Use the SharePoint for other revision resources**



Science



Home

Notebook

Site contents

Recycle bin

Edit

+ New

Upload

Edit in grid view

Share

Copy link

Sync

Add shortcut

Year 11 > Combined Science

	Name	Modified	Modified By	Topic
	Glossaries	May 17	L White	
	Glossary Pluses	Tuesday at 3:20 PM	J Dear	
	Maths for Science	Tuesday at 3:24 PM	J Dear	
	Past Papers	Tuesday at 3:20 PM	J Dear	
	Required Practicals	May 17	L White	
	Study packs	May 17	L White	
	combined spec.PDF	May 9	L White	
	Command words.docx	Tuesday at 12:55 PM	J Dear	
	Physics equation sheets.docx	Tuesday at 12:55 PM	J Dear	
	revision sessions 23 STUDENT INFO.docx	May 17	L White	
	Y11 curriculum map combined science 202...	Tuesday at 1:05 PM	J Dear	

Other resources

- **BBC bitesize**
- **Websites, save my exams**
- **Free you tube videos (e.g. Kayscience, Cognito, freesciencelessons.com, Primrose Kitten, science shorts)**
- **Podcasts on Spotify**

