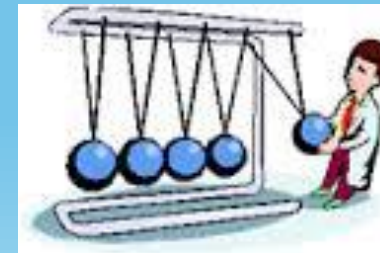
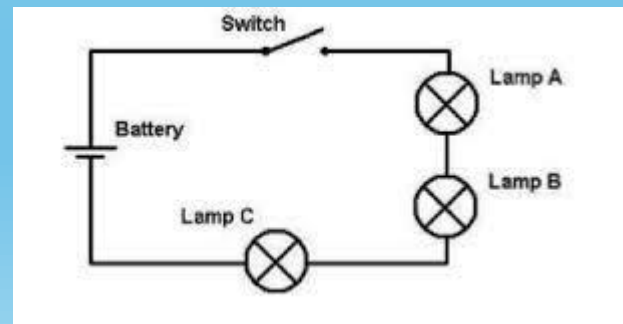
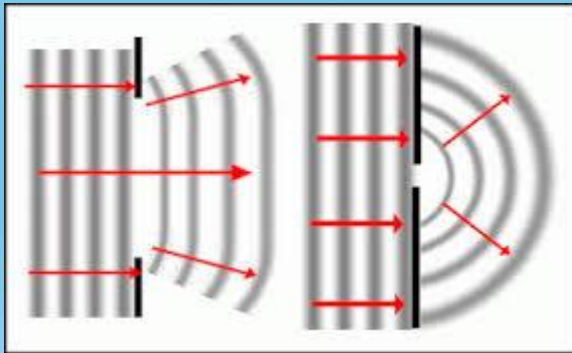
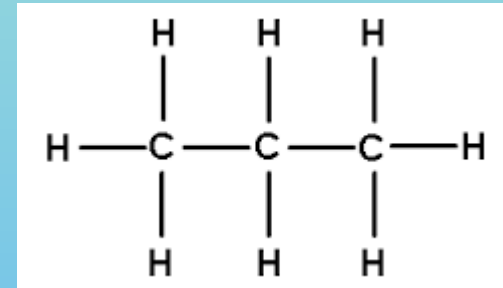
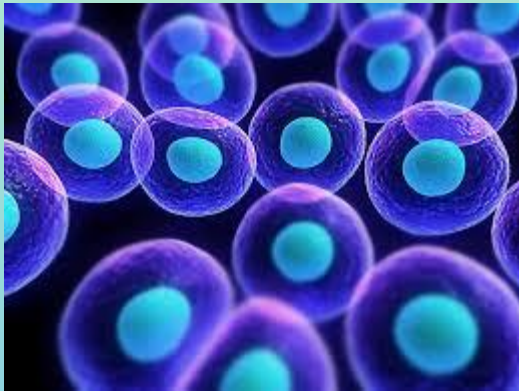


# Revision and support for Triple Science GCSEs 2025



- **Every student in Year 11 will have 6 GCSE science exams.**
- **Triple Science = 6 exams (1hr 45mins)**
- **content and working scientifically skills**
- **40% recall, 40% application and 20% analysing and evaluating**

# Mock exams

- We have already completed one set of **paper 1** mocks
- November/December mock **paper 1** for each of biology, chemistry and physics.
- This will be **1 hr 45** for triple students.
- using AQA grade boundaries
- **March mock**. This will consist of 3 full paper 2s

# What support do we offer in class

- Every lesson has recall activities
- Teachers will set regular feedback opportunities, this often takes the form of exam questions and feedback will be given along with time spent on addressing that feedback
- We work on application of science in as many opportunities as possible
- We use BUN to help students with exam technique

# What other support do we offer?

- **Revision guides**. (If students have not bought one, we will offer another opportunity after half term)
- **SharePoint resources** - videos of the required practicals, more past paper exam questions, reminders about command words and exam skills.
- **Exam study packs** used for homework, with specification, recall activities and exam practice.

# What can students do to prepare for their exams?

- **Use revision guides to prepare for the mock exams.**
- **Complete all home learning on time. (3x 20-25mins)**
- **Use active revision techniques, e.g. flash cards, mind maps, quizzing with friends**
- **Use the past paper questions in their exam study packs.**
- **Use the SharePoint for other revision resources**



## Year 11 > Combined Science



	Name		Modified	Modified By	Topic
	Glossaries		May 17	L White	
	Glossary Pluses		Tuesday at 3:20 PM	J Dear	
	Maths for Science		Tuesday at 3:24 PM	J Dear	
	Past Papers		Tuesday at 3:20 PM	J Dear	
	Required Practicals		May 17	L White	
	Study packs		May 17	L White	
	combined spec.PDF		May 9	L White	
	Command words.docx		Tuesday at 12:55 PM	J Dear	
	Physics equation sheets.docx		Tuesday at 12:55 PM	J Dear	
	revision sessions 23 STUDENT INFO.docx		May 17	L White	
	Y11 curriculum map combined science 202...		Tuesday at 1:05 PM	J Dear	

# Other resources

- **BBC bitesize**
- **Websites**, save my exams
- **Free you tube videos** (e.g. Kayscience, Cognito, freesciencelessons.com, Primrose Kitten)
- **Podcasts on Spotify**

